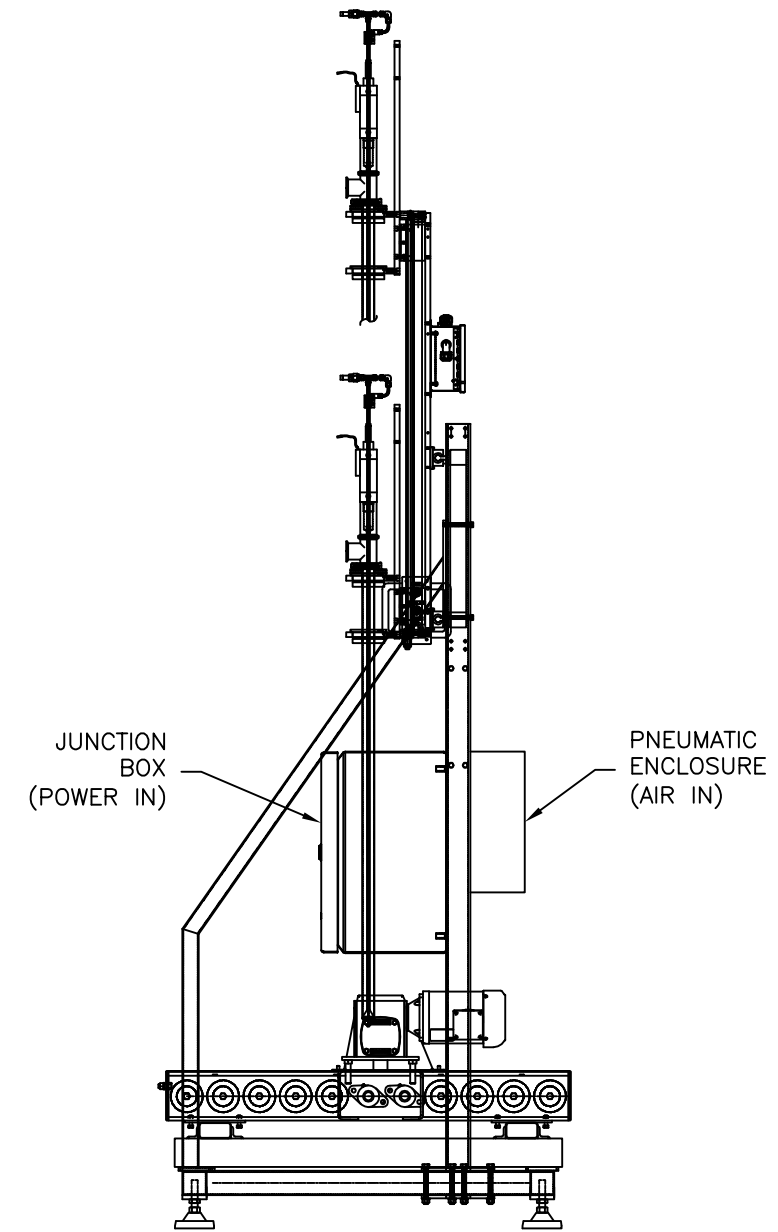
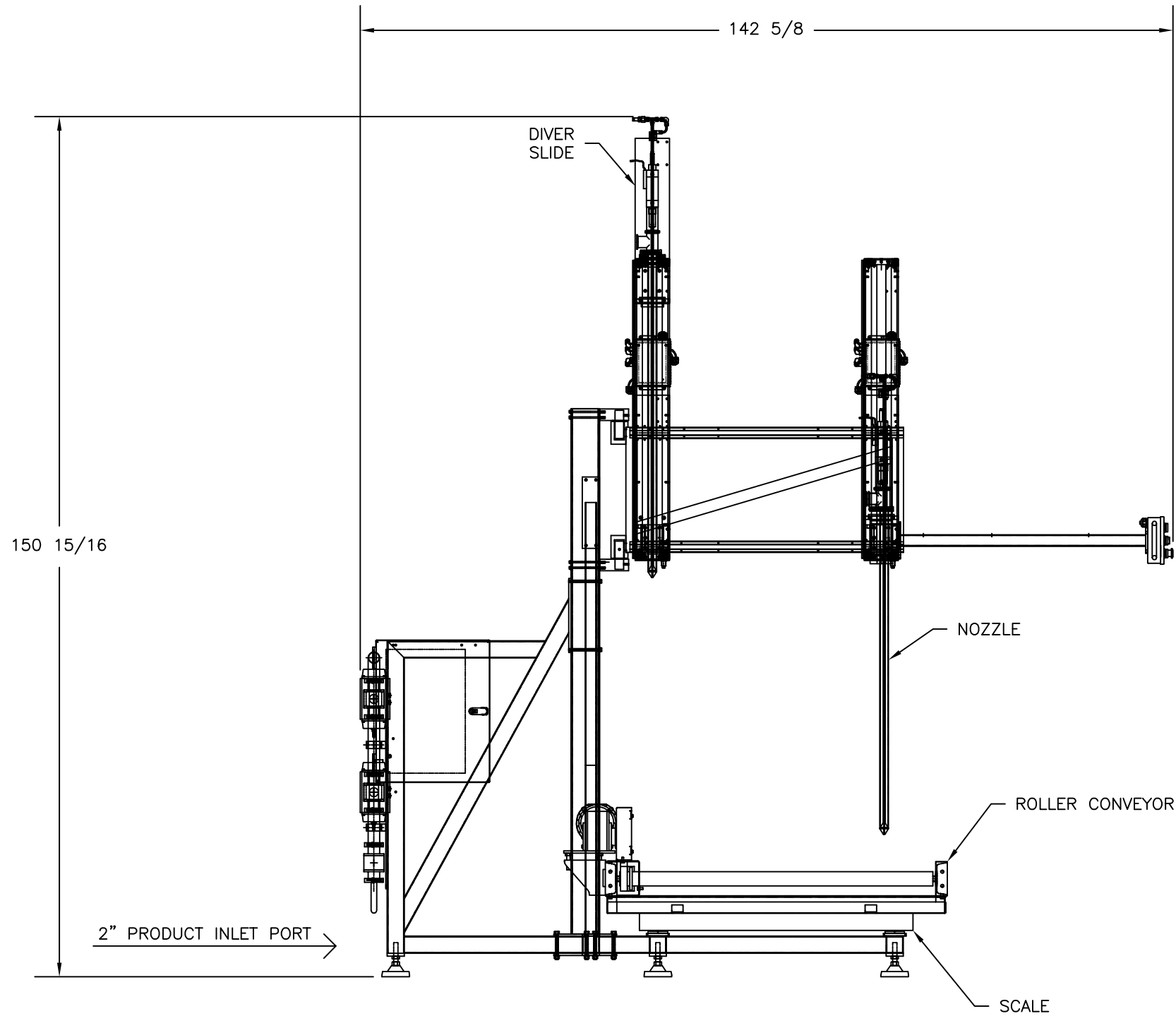



REV.	ECO #	DESCRIPTION	DATE	NAME
A	---	N/A	3/4/15	MJR



-NOTE-

- 1) ALL WELDS SHOULD BE GROUND AND POLISHED SMOOTH TO A #3 (150 GRIT) FINISH.
- 2) ALL ROUGH EDGES SHOULD BE CLEANED OF ANY BURR'S.
- 3) ALL ANGLES ARE AT 90° UNLESS OTHERWISE NOTED.
- 4) ALL RADIUS AND CORNERS ARE TO BE A 1/32 UNLESS OTHERWISE NOTED.

DIMENSIONS ARE IN INCHES UNLESS OTHERWISE NOTED  REMOVE BURRS AND SHARP EDGES  TOLERANCES UNLESS OTHERWISE NOTED:  ANGLES ±0°-30' FRACTIONS ±1/32  DECIMALS: .X ±.030 .XX ±.010 .XXX ±.005	PROJECT NO.		 <b>ODEN MACHINERY, INC.</b> 199 FIRE TOWER DRIVE TONAWANDA, NEW YORK USA 14150 PHONE (716)-874-3622 TOLL FREE (800)-658-3622 FAX (716)-874-3000				DRAWING NO.		
	PROJECT NAME						SHEET		1 OF 1
	PART NAME LAYOUT, MEGAFILL						SCALE	DRFT	DATE
FINISH		QTY	24X	MJR	3/4/15	MJR	OM1034-029		
MATERIAL		ONE (1)							